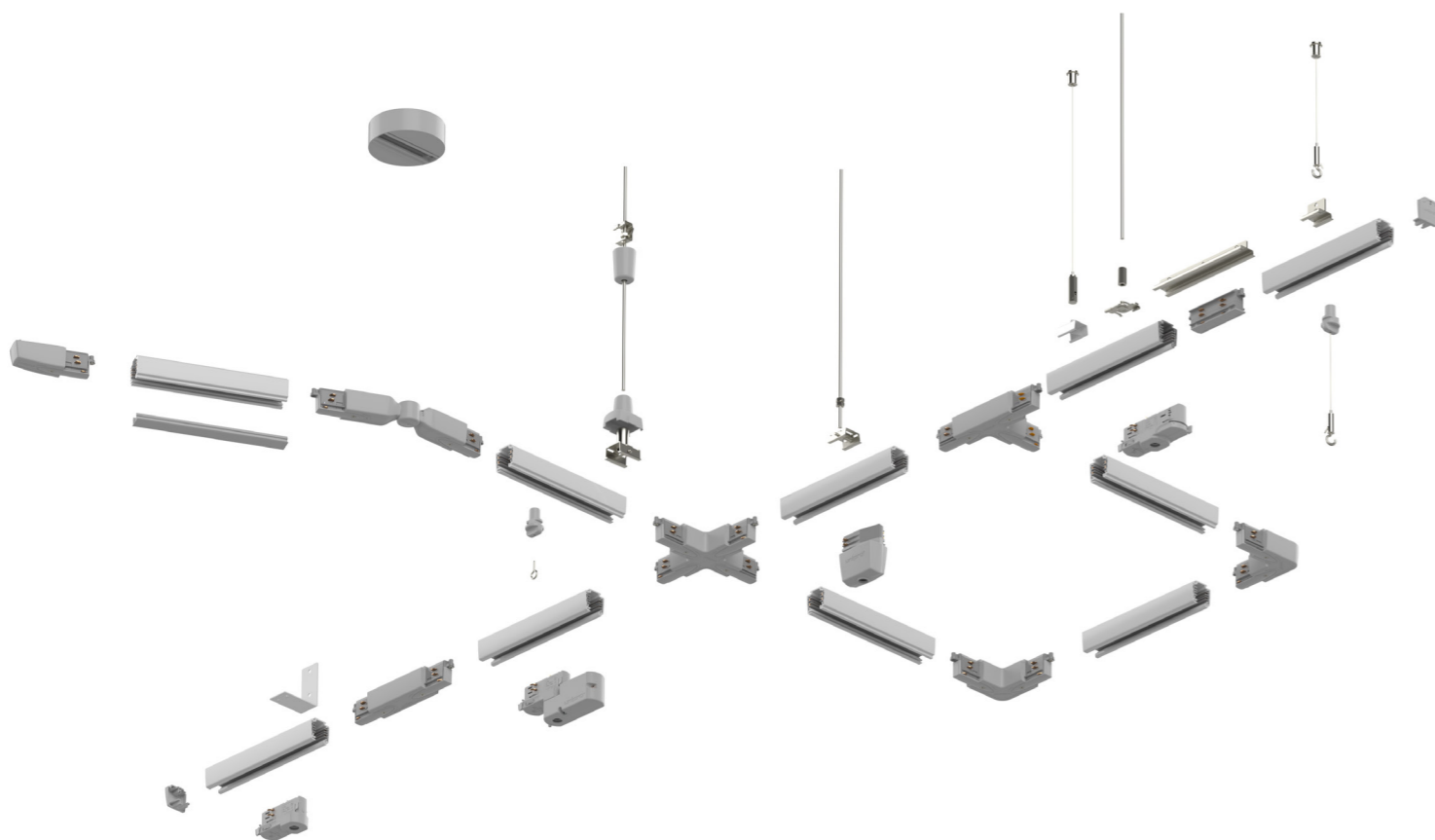


230V TRACK SYSTEMS

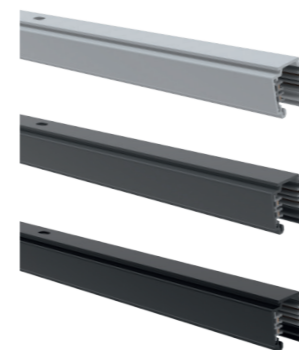


DALI or 3-phase track systems are an essential addition to our track mounted luminaires. Lighting track system is great and popular choice for offices, shopping centers, shops, museums, gyms, restaurants and even private homes - only your imagination is the limit. It is the most flexible solution for situations where the customer needs to increase or decrease the lighting space or re-arrange the lighting in general. High quality, modern design and smooth installation of our 3 phase or DALI track assures flexibility in designing even the most advanced lighting systems. Our 230V track system includes surface and recessed 3-phase and DALI lighting tracks in different lengths and wide range of mounting accessories. Universal and modular design is easy to expand and adapt to any project's requirements. L-corners are adjustable and reversible with changeable earthing for fast and easy installation. In fire-safety situations halogen-free lighting track parts will not release any flammable gases harmful for health. Complete information about our 230V track systems can be found in our pricelist.

PDF datasheet:



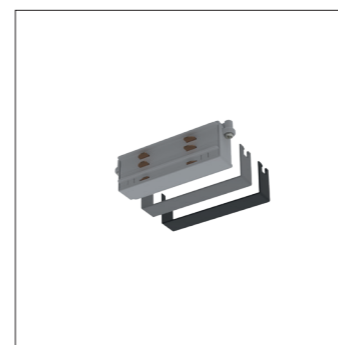
230V TRACK SYSTEMS



**SURFACE MOUNTED OR SUSPENDED
3-PHASE & DALI LIGHTING TRACKS**



**CEILING RECESSED
3-PHASE & DALI LIGHTING TRACKS**



Jointing unit JU3



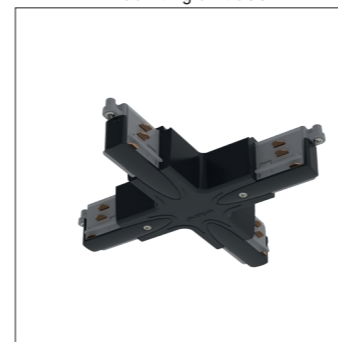
Middle connection unit MCU3



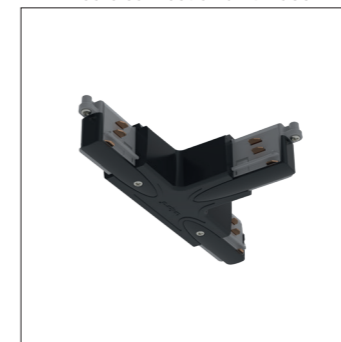
Connection unit CU3



End cap EC3



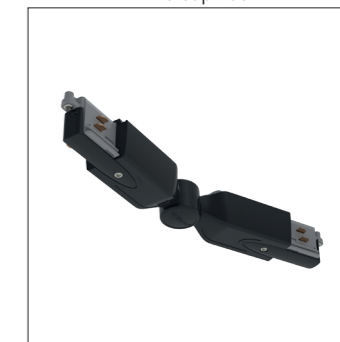
X-piece XA3



T-piece TA3



L-piece LC3



Adjustable corner ALC3



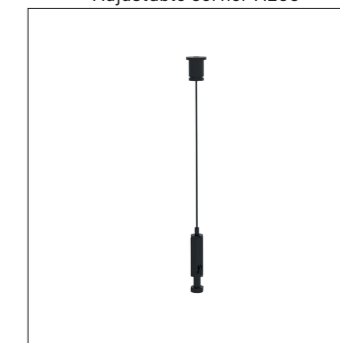
Ceiling bracket CB3



Pendant bracket PB



Pendant coupler PC



Wire suspension set WS